

CRITCHLEY ADSL TRANSFORMERS 6A412



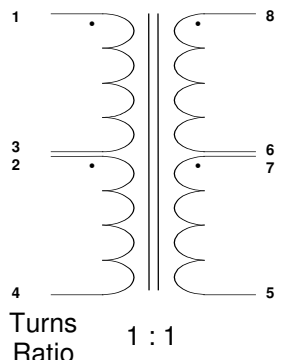
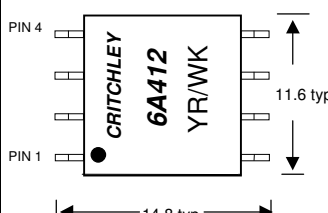
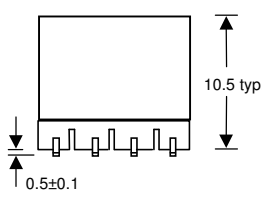
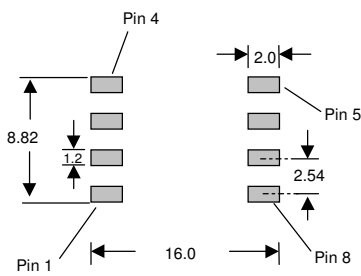
➤ For use with the following:

TEXAS INSTRUMENTS TNETD4000C AT ADSL CHIPSET

- Designed to meet EN60950 requirements for Supplementary Isolation.
- Low Distortion / High Performance in a small footprint.

ELECTRICAL SPECIFICATION*					
Inductance @ 10 kHz 1.0 Vrms.	Leakage Inductance @ 100 kHz 0.1 Vrms.	Turns Ratio	DC Resistance (max.)		Isolation Voltage Primary : Secondary
1 - 4 (s/c 2-3)	1 - 4 (s/c 2-3, 6-7, 8-5)	1 - 4 : 8 - 5 (s/c 2-3, 6-7)	1 - 4 (s/c 2-3)	8 - 5 (s/c 6-7)	1 - 8 (1 sec.) (s/c 2-3, 6-7)
350 - 394 μH	6.0 μH (max)	1 : 1	2.0 Ω	0.7 Ω	1875 Vrms

* At 23°C

SCHEMATIC	MECHANICAL SPECIFICATION
 <p style="text-align: center; font-weight: bold;">Turns Ratio 1 : 1</p> <p style="text-align: center; font-style: italic;">This component is currently under development.</p> <p>Approximate Weight.....7 grams</p>	<p style="text-align: center; color: red; font-weight: bold;">Surface Mount Style – 6A412</p> <div style="display: flex; justify-content: space-around;"> <div style="text-align: center;">  <p>TOP VIEW</p> </div> <div style="text-align: center;">  <p>SIDE VIEW</p> </div> <div style="text-align: center;">  <p>RECOMMENDED PAD LAYOUT</p> </div> </div> <p style="text-align: center;">Dimensions in mm</p>

Pontiac Coil – Europe Ltd.

PO Box 246
Queens Drive Industrial Estate
Nottingham NG2 1NQ

United Kingdom

Tel: +44 (0) 115 986 1126
Fax: +44 (0) 115 986 0563

Pontiac Coil, Inc.

5800 Moody Drive
Clarkston
Michigan 48348

USA

Tel: +1 248 922 2203
Fax: +1 248 922 1315

Local Distributors available in:

Australia, Finland, Israel, Italy, Malaysia, Norway, Singapore, Sweden and Taiwan.

For details contact Pontiac Coil - Europe Ltd.

sales@pontiaccoil.co.uk

www.pontiaccoil.co.uk