

CRITCHLEY ADSL TRANSFORMERS

6A318 / 6A328



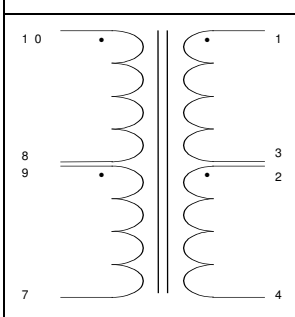
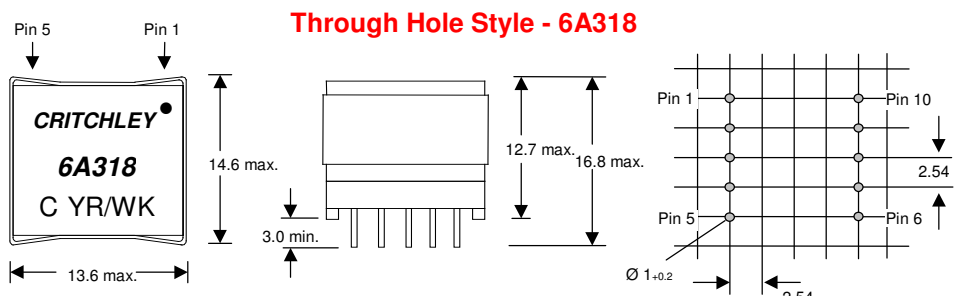
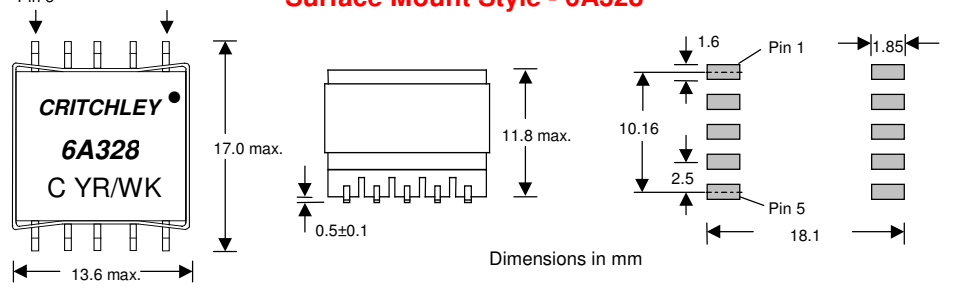
➤ For use with the following Chipsets:

Analog Devices	AD20MSP918
using line driver :	AD8016

- Designed for Optimum performance in a small footprint
- Available in both Conventional and SMD Styles.

ELECTRICAL SPECIFICATION*					
Inductance $\pm 10\%$ @ 10 kHz 1.0 Vrms.	Leakage Inductance @ 10 kHz 0.1 Vrms.	Turns Ratio	DC Resistance (max.)		Isolation Voltage Primary : Secondary
9 - 7	10 - 7 (s/c 1-4, 2-3, 8-9)	10 - 7 : 1 - 4 (s/c 2-3, 8-9)	10 - 7 (s/c 8-9)	1 - 4 (s/c 2-3)	1 - 10 (2 secs) (s/c 2-3, 8-9)
562 μH	< 15 μH	1 : 1.25	0.65 Ω	1.00 Ω	1875Vrms.

* At 23°C

SCHEMATIC	MECHANICAL SPECIFICATION		
 <p style="text-align: center;">Turns Ratio 1 : 1.25</p> <p>Approximate Weight.....7 grams</p> <p><i>This component is currently under development.</i></p>	<div style="text-align: center; color: red; font-weight: bold;">Through Hole Style - 6A318</div>  <div style="text-align: center; color: red; font-weight: bold;">Surface Mount Style - 6A328</div>  <p style="text-align: center;">Dimensions in mm</p>		

Pontiac Coil – Europe Ltd.

PO Box 246
Queens Drive Industrial Estate
Nottingham NG2 1NQ

United Kingdom

Tel: +44 (0) 115 986 1126
Fax: +44 (0) 115 986 0563

Pontiac Coil, Inc.

5800 Moody Drive
Clarkston
Michigan 48348

USA

Tel: +1 248 922 2203
Fax: +1 248 922 1315

Local Distributors available in:

**Australia, Finland, Israel,
Italy, Malaysia, Norway, Singapore,
Sweden and Taiwan.**

For details contact Pontiac Coil - Europe Ltd.

sales@pontiaccoil.co.uk

www.pontiaccoil.co.uk