

CRITCHLEY ADSL TRANSFORMERS 6A308



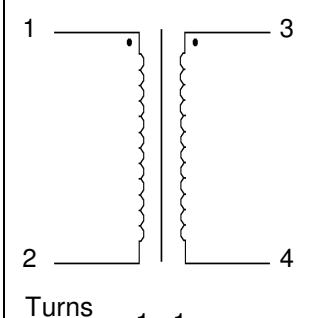
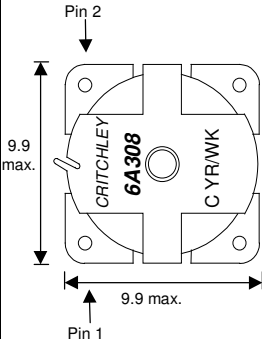
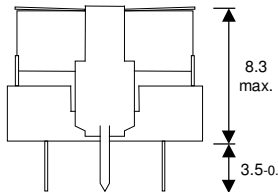
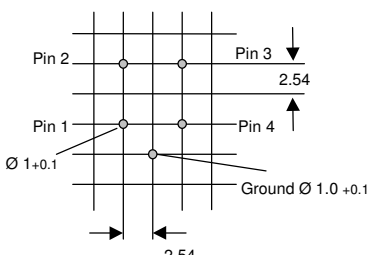
- For use with the following Chipsets:

Alcatel Microelectronics	MTK 20131
---------------------------------	------------------

- Alcatel reference number : 1AB 07111 0007
- Low Frequency Transformer for C.O. and C.P.E. applications.

ELECTRICAL SPECIFICATION*					
Inductance @ 10 kHz 0.1 Vrms.	Turns Ratio	DC Resistance (max.)		Isolation Voltage Winding : Core	Isolation Voltage Primary : Secondary
1 - 2	1 - 2 : 3 - 4	1 - 2	3 - 4	1+3 : Core (2secs)	1 - 3 (2 secs)
82 - 100 μH	1 : 1	1.3 Ω	1.3 Ω	500 Vrms	500 Vrms.

* At 23°C

SCHEMATIC	MECHANICAL SPECIFICATION		
 <p style="text-align: center;">Turns Ratio 1 : 1</p> <p>This component is tested to :</p> <p style="text-align: center;">IEC 68-2-14:1984 Nb (temperature range: -40°C to +125°C).</p> <p>Approximate Weight.....2 grams</p>	Through Hole Style - 6A308		
	 <p style="text-align: center;">TOP VIEW</p>	 <p style="text-align: center;">SIDE VIEW</p>	 <p style="text-align: center;">PIN LAYOUT</p>
	Dimensions in mm		

Pontiac Coil – Europe Ltd.

PO Box 246
Queens Drive Industrial Estate
Nottingham NG2 1NQ

United Kingdom

Tel: +44 (0) 115 986 1126
Fax: +44 (0) 115 986 0563

Pontiac Coil, Inc.

5800 Moody Drive
Clarkston
Michigan 48348

USA

Tel: +1 248 922 2203
Fax: +1 248 922 1315

Local Distributors available in:

**Australia, Finland, Israel,
Italy, Malaysia, Norway, Singapore,
Sweden and Taiwan.**

For details contact Pontiac Coil - Europe Ltd.

sales@pontiaccoil.co.uk

www.pontiaccoil.co.uk