

CRITCHLEY ADSL TRANSFORMERS 6A452



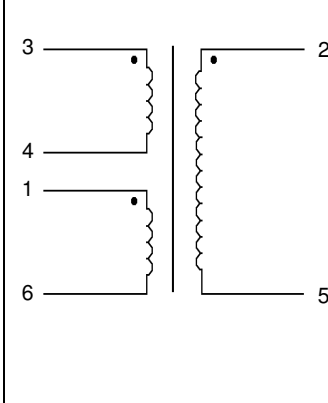
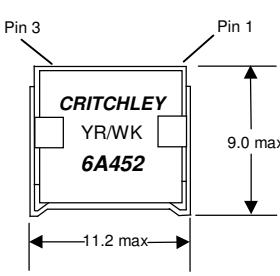
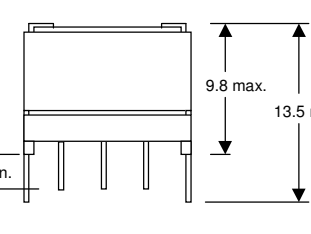
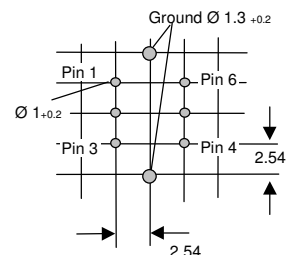
- For use with the following Chipset :

Alcatel Microelectronics	MTB-20150
---------------------------------	------------------

- Alcatel reference number : 1AB 02363 0019
- Optimum Performance in a small footprint.

ELECTRICAL SPECIFICATION*							
Inductance 100 kHz 0.1 V	Turns Ratio	Turns Ratio	DC Resistance (max.)			Isolation Voltage (for 2 secs.)	
3 - 4	2 - 5 : 3 - 4	3 - 4 : 1 - 6	2 - 5	3 - 4	1 - 6	1-2-3	1+2+3 : Core
0.93 - 1.87 mH	3.5 : 1	2 : 1	1.20 Ω	0.50 Ω	0.20 Ω	500 Vac	500 Vac

* At 23°C

SCHEMATIC	MECHANICAL SPECIFICATION
 <p style="text-align: center;">Approximate Weight.....3 grams</p> <p style="text-align: center;"><i>This component is currently under development.</i></p>	<p style="text-align: center; color: red;">Through Hole Style - 6A452</p> <div style="display: flex; justify-content: space-around;"> <div style="text-align: center;">  <p>TOP VIEW</p> </div> <div style="text-align: center;">  <p>SIDE VIEW</p> </div> <div style="text-align: center;">  <p>PIN LAYOUT</p> </div> </div> <p style="text-align: center;">Dimensions in mm</p>

Pontiac Coil – Europe Ltd.

PO Box 246
Queens Drive Industrial Estate
Nottingham NG2 1NQ

United Kingdom

Tel: +44 (0) 115 986 1126
Fax: +44 (0) 115 986 0563

Pontiac Coil, Inc.

5800 Moody Drive
Clarkston
Michigan 48348

USA

Tel: +1 248 922 2203
Fax: +1 248 922 1315

Local Distributors available in:

**Australia, Finland, Israel,
Italy, Malaysia, Norway, Singapore,
Sweden and Taiwan.**

For details contact Pontiac Coil - Europe Ltd.

sales@pontiaccoil.co.uk

www.pontiaccoil.co.uk