

# CRITCHLEY ADSL TRANSFORMERS 6A451



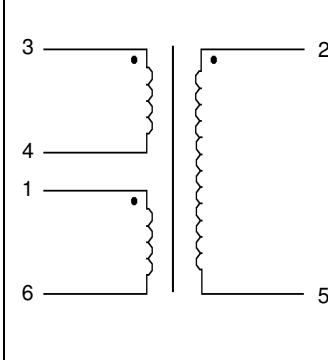
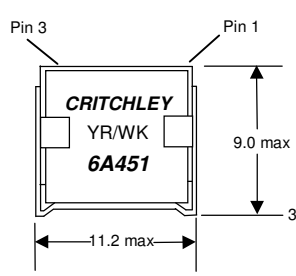
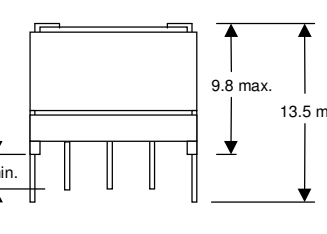
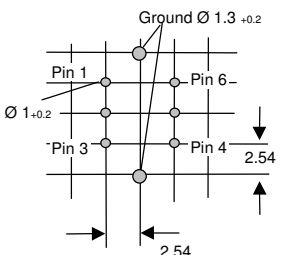
- For use with the following Chipset :

<b>Alcatel Microelectronics</b>	<b>MTB-20150</b>
---------------------------------	------------------

- Alcatel reference number : 1AB 02363 0018
- Optimum Performance in a small footprint.

<b>ELECTRICAL SPECIFICATION*</b>							
Inductance 100 kHz 0.1 V	Turns Ratio	Turns Ratio	DC Resistance (max.)			Isolation Voltage (for 2 secs.)	
3 - 4	2 - 5 : 3 - 4	3 - 4 : 1 - 6	2 - 5	3 - 4	1 - 6	1-2-3	1+2+3 : Core
<b>0.93 - 1.87 mH</b>	<b>1.125 : 1</b>	<b>2 : 1</b>	<b>0.28 Ω</b>	<b>0.27 Ω</b>	<b>0.15 Ω</b>	<b>500 Vac</b>	<b>500 Vac</b>

\* At 23°C

SCHEMATIC	MECHANICAL SPECIFICATION
 <p style="text-align: center;">Approximate Weight.....3 grams</p> <p style="text-align: center;"><i>This component is currently under development.</i></p>	<p style="text-align: center; color: red;"><b>Through Hole Style - 6A451</b></p> <div style="display: flex; justify-content: space-around;"> <div style="text-align: center;">  <p>TOP VIEW</p> </div> <div style="text-align: center;">  <p>SIDE VIEW</p> </div> <div style="text-align: center;">  <p>PIN LAYOUT</p> </div> </div> <p style="text-align: center;">Dimensions in mm</p>

**Pontiac Coil – Europe Ltd.**

PO Box 246  
Queens Drive Industrial Estate  
Nottingham NG2 1NQ  
**United Kingdom**  
Tel: +44 (0) 115 986 1126  
Fax: +44 (0) 115 986 0563

**Pontiac Coil, Inc.**

5800 Moody Drive  
Clarkston  
Michigan 48348  
**USA**  
Tel: +1 248 922 2203  
Fax: +1 248 922 1315

**Local Distributors available in:**

**Australia, Finland, Israel,  
Italy, Malaysia, Norway, Singapore,  
Sweden and Taiwan.**

For details contact Pontiac Coil - Europe Ltd.

[sales@pontiaccoil.co.uk](mailto:sales@pontiaccoil.co.uk)

[www.pontiaccoil.co.uk](http://www.pontiaccoil.co.uk)