

# CRITCHLEY ADSL TRANSFORMERS 6A403



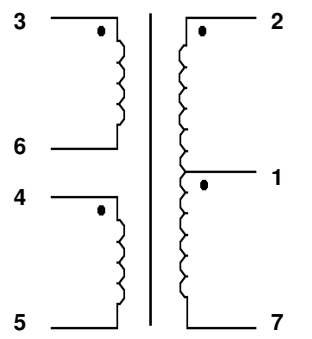
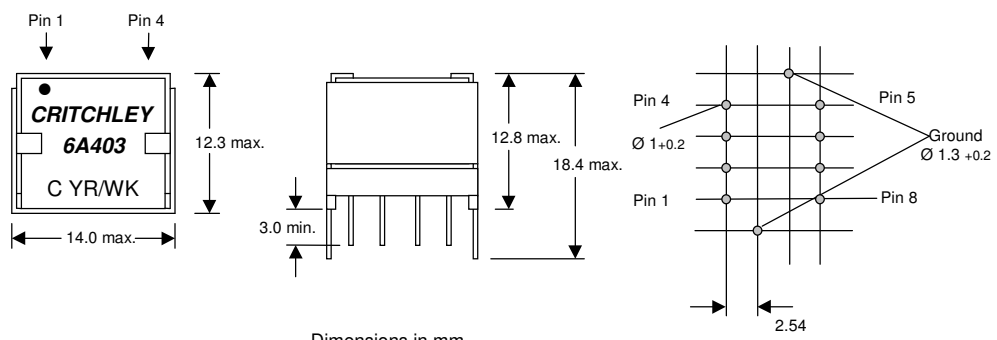
- For use with the following Chipsets:

<b>Alcatel Microelectronics</b>	<b>MTK 20131 / 20140</b>
---------------------------------	--------------------------

- Alcatel reference number : 1AB 01897 0017
- Impedance Transformer with Optimum Performance in a small footprint

<b>ELECTRICAL SPECIFICATION*</b>								
Inductance @ 100 kHz 1 Vrms.	Leakage Inductance @ 300 kHz 0.1 Vrms	Turns Ratio		DC Resistance (max.)			Isolation Voltage (for 2 secs.)	
		3 - 6	3 - 6 (s/c 2-7)	3-6 : 2-7	3-6 : 4-5	2 - 7	4 - 5	3 - 6
<b>&gt; 7.68 mH</b>	<b>&lt; 3.0 μH</b>	<b>1 : 0.6</b>	<b>2.09 : 1</b>	<b>2.5 Ω</b>	<b>0.75 Ω</b>	<b>1.8 Ω</b>	<b>500V ac</b>	<b>500V ac</b>

\* At 23°C

<b>SCHEMATIC</b>	<b>MECHANICAL SPECIFICATION</b>
 <p>This component is tested to :</p> <p>IEC 68-2-14:1984 Nb (temperature range: -40°C to +125°C).</p> <p>Approximate Weight.....5 grams</p> <p><i>This component is currently under development.</i></p>	<p style="text-align: center; color: red;"><b>Through Hole Style - 6A403</b></p>  <p style="text-align: center;">Dimensions in mm</p> <p style="text-align: center;">TOP VIEW                      SIDE VIEW                      PIN LAYOUT</p>

**Pontiac Coil – Europe Ltd.**

PO Box 246  
Queens Drive Industrial Estate  
Nottingham NG2 1NQ

**United Kingdom**

Tel: +44 (0) 115 986 1126  
Fax: +44 (0) 115 986 0563

**Pontiac Coil, Inc.**

5800 Moody Drive  
Clarkston  
Michigan 48348

**USA**

Tel: +1 248 922 2203  
Fax: +1 248 922 1315

**Local Distributors available in:**

**Australia, Finland, Israel,  
Italy, Malaysia, Norway, Singapore,  
Sweden and Taiwan.**

For details contact **Pontiac Coil - Europe Ltd.**

[sales@pontiaccoil.co.uk](mailto:sales@pontiaccoil.co.uk)

[www.pontiaccoil.co.uk](http://www.pontiaccoil.co.uk)