

CRITCHLEY ADSL INDUCTORS 6A352



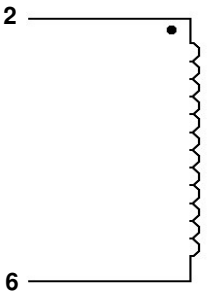
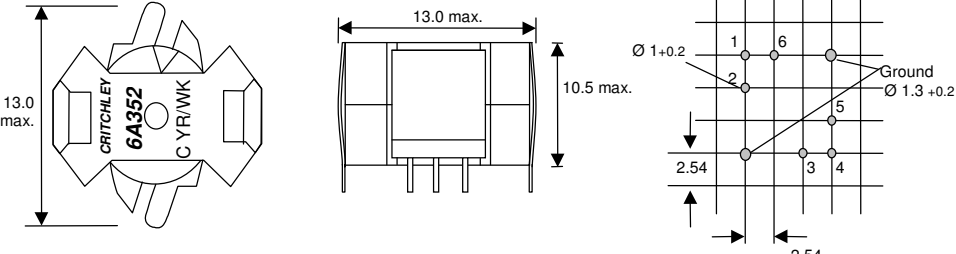
- For use with the following Chipsets:

Alcatel Microelectronics	MTK 20131
---------------------------------	------------------

- Alcatel reference number : 1AB 06932 0024
- Designed for Optimum performance in a small footprint.

ELECTRICAL SPECIFICATION*		
Inductance @ 10 kHz 0.1 Vrms.	DC Resistance (max.)	Isolation Voltage (for 2 secs.)
2 - 6	2 - 6	2 : Core
30 - 35 μH	0.3 Ω	500 Vrms

* At 23°C

SCHEMATIC	MECHANICAL SPECIFICATION		
 <p>This component is tested to :</p> <p>IEC 68-2-14:1984 Nb (temperature range: -40°C to +125°C).</p> <p>Approximate Weight.....3 grams</p> <p><i>This component is currently under development.</i></p>	<p>Through Hole Style - 6A352</p>  <p style="text-align: center;">Dimensions in mm</p> <div style="display: flex; justify-content: space-around;"> <div style="text-align: center;">TOP VIEW</div> <div style="text-align: center;">SIDE VIEW</div> <div style="text-align: center;">PIN LAYOUT</div> </div>		

Pontiac Coil – Europe Ltd.

PO Box 246
Queens Drive Industrial Estate
Nottingham NG2 1NQ

United Kingdom

Tel: +44 (0) 115 986 1126
Fax: +44 (0) 115 986 0563

Pontiac Coil, Inc.

5800 Moody Drive
Clarkston
Michigan 48348

USA

Tel: +1 248 922 2203
Fax: +1 248 922 1315

Local Distributors available in:

**Australia, Finland, Israel,
Italy, Malaysia, Norway, Singapore,
Sweden and Taiwan.**

For details contact Pontiac Coil - Europe Ltd.

sales@pontiaccoil.co.uk

www.pontiaccoil.co.uk