

CRITCHLEY ADSL TRANSFORMERS 6A306



- For use with the following Chipsets:

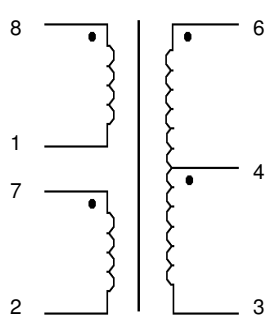
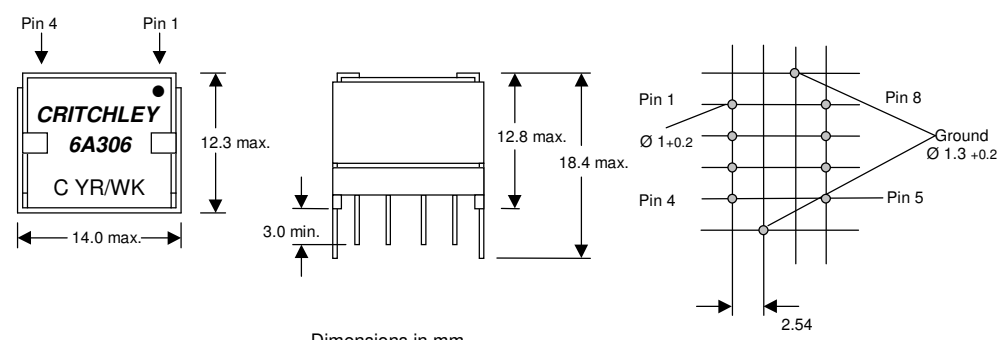
Alcatel Microelectronics	MTK 20131
---------------------------------	------------------

- Alcatel reference number : 1AB 01897 0018
- Impedance Transformer with Optimum Performance in a small footprint

ELECTRICAL SPECIFICATION*

Inductance @ 100 kHz 1 Vrms.	Leakage Inductance @ 300 kHz 0.1 Vrms	Turns Ratio		DC Resistance (max.)			Isolation Voltage (for 2 secs.)	
		7-2 : 6-3	7-2 : 8-1	6 - 3	8 - 1	7 - 2	6-7-8	6+7+8 - Core
7 - 2	7 - 2 (s/c 6-3)	7-2 : 6-3	7-2 : 8-1	6 - 3	8 - 1	7 - 2	6-7-8	6+7+8 - Core
> 844 μH	< 1.5 μH	1 : 0.4	2.0 : 1	0.4 Ω	0.11 Ω	0.19 Ω	500V ac	500V ac

* At 23°C

SCHEMATIC	MECHANICAL SPECIFICATION
 <p style="margin-top: 20px;">This component is tested to :</p> <p style="margin-left: 40px;">IEC 68-2-14:1984 Nb (temperature range: -40°C to +125°C).</p> <p style="margin-top: 20px;">Approximate Weight.....5 grams</p>	<h3 style="color: red; margin: 0;">Through Hole Style - 6A306</h3>  <p style="margin-top: 10px;">Dimensions in mm</p> <div style="display: flex; justify-content: space-around; margin-top: 10px;"> TOP VIEW SIDE VIEW PIN LAYOUT </div>

Pontiac Coil – Europe Ltd.

PO Box 246
Queens Drive Industrial Estate
Nottingham NG2 1NQ

United Kingdom

Tel: +44 (0) 115 986 1126
Fax: +44 (0) 115 986 0563

Pontiac Coil, Inc.

5800 Moody Drive
Clarkston
Michigan 48348

USA

Tel: +1 248 922 2203
Fax: +1 248 922 1315

Local Distributors available in:

**Australia, Finland, Israel,
Italy, Malaysia, Norway, Singapore,
Sweden and Taiwan.**

For details contact Pontiac Coil - Europe Ltd.

sales@pontiaccoil.co.uk

www.pontiaccoil.co.uk