

# CRITCHLEY ADSL TRANSFORMERS 6A302



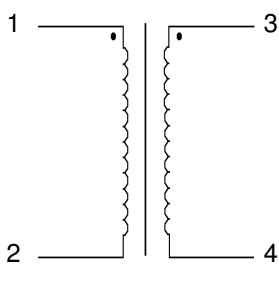
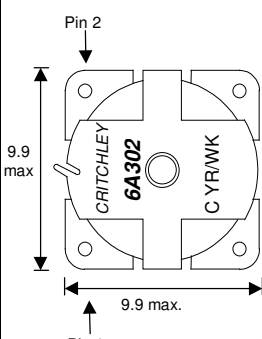
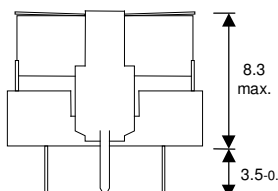
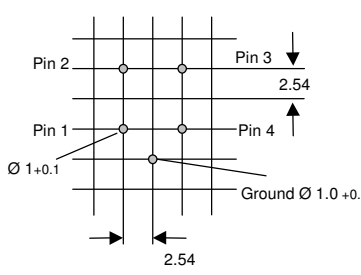
- For use with the following Chipsets:

<b>Alcatel Microelectronics</b>	<b>MTK 20131</b>
---------------------------------	------------------

- Alcatel reference number : 1AB 07111 0008
- Low Frequency Transformer for C.O. and C.P.E. Filter applications.
- Designed for Optimum performance in a small footprint.

<b>ELECTRICAL SPECIFICATION*</b>					
Inductance @ 10 kHz 0.1 Vrms.	Turns Ratio	DC Resistance (max.)		Isolation Voltage Winding : Core	Isolation Voltage Primary : Secondary
1 - 2	1 - 2 : 3 - 4	1 - 2	3 - 4	1+3 : Core (2secs)	1 - 3 (2 secs)
<b>452 - 549 <math>\mu</math>H</b>	<b>1 : 1</b>	<b>3.0 <math>\Omega</math></b>	<b>3.0 <math>\Omega</math></b>	<b>500 Vrms</b>	<b>500 Vrms.</b>

\* At 23°C

<b>SCHEMATIC</b>	<b>MECHANICAL SPECIFICATION</b>
 <p>Turns Ratio 1 : 1</p> <p>This component is tested to :</p> <p>IEC 68-2-14:1984 Nb (temperature range: -40°C to +125°C).</p> <p>Approximate Weight.....2 grams</p>	<p style="text-align: center; color: red;"><b>Through Hole Style - 6A302</b></p> <div style="display: flex; justify-content: space-around;"> <div style="text-align: center;">  <p>TOP VIEW</p> </div> <div style="text-align: center;">  <p>SIDE VIEW</p> </div> <div style="text-align: center;">  <p>PIN LAYOUT</p> </div> </div> <p style="text-align: center;">Dimensions in mm</p>

### Pontiac Coil – Europe Ltd.

PO Box 246  
Queens Drive Industrial Estate  
Nottingham NG2 1NQ

### United Kingdom

Tel: +44 (0) 115 986 1126  
Fax: +44 (0) 115 986 0563

### Pontiac Coil, Inc.

5800 Moody Drive  
Clarkston  
Michigan 48348

### USA

Tel: +1 248 922 2203  
Fax: +1 248 922 1315

### Local Distributors available in:

**Australia, Finland, Italy, Malaysia,  
Norway, Singapore, Israel, Sweden  
and Taiwan.**

For details contact Pontiac Coil - Europe Ltd.

[sales@pontiaccoil.co.uk](mailto:sales@pontiaccoil.co.uk)

[www.pontiaccoil.co.uk](http://www.pontiaccoil.co.uk)