

CRITCHLEY ADSL INDUCTORS 6A300



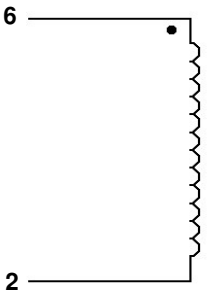
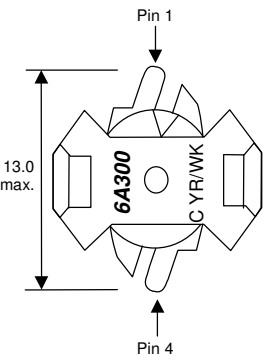
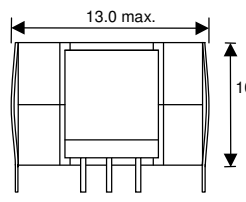
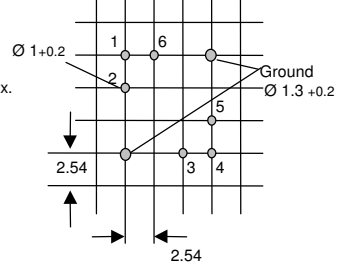
- For use with the following Chipsets:

Alcatel Microelectronics	MTK 20131
---------------------------------	------------------

- Alcatel reference number : 1AB 06932 0017
- Designed for Optimum performance in a small footprint.

ELECTRICAL SPECIFICATION*		
Inductance @ 100 kHz 0.1 Vrms.	DC Resistance (max.)	Isolation Voltage (for 2 secs.)
6 - 2	6 - 2	2 - Core
97 - 103 μH	400 mΩ	500 V rms

* At 23°C

SCHEMATIC	MECHANICAL SPECIFICATION		
 <p>Approximate Weight.....3 grams</p> <p><i>This component is currently under development.</i></p>	<p style="color: red;">Through Hole Style - 6A300</p> <div style="display: flex; justify-content: space-around;"> <div style="text-align: center;">  <p>TOP VIEW</p> </div> <div style="text-align: center;">  <p>SIDE VIEW</p> </div> <div style="text-align: center;">  <p>PIN LAYOUT</p> </div> </div> <p style="text-align: center;">Dimensions in mm</p>		

Pontiac Coil – Europe Ltd.

PO Box 246
Queens Drive Industrial Estate
Nottingham NG2 1NQ

United Kingdom

Tel: +44 (0) 115 986 1126
Fax: +44 (0) 115 986 0563

Pontiac Coil, Inc.

5800 Moody Drive
Clarkston
Michigan 48348

USA

Tel: +1 248 922 2203
Fax: +1 248 922 1315

Local Distributors available in:

**Australia, Finland, Israel,
Italy, Malaysia, Norway, Singapore,
Sweden and Taiwan.**

For details contact Pontiac Coil - Europe Ltd.

sales@pontiaccoil.co.uk

www.pontiaccoil.co.uk